

PIVOT
WING™

Display Performance

GUARANTEED

Our system is **UNIQUE**. It will not fail to pivot!

Reduce or eliminate binding, wear, and replacement costs. We back our product with an **unconditional 5 year guarantee!**

Proven effective for **any** product:
windows trim
doors flooring
roofing paint
stair parts **and more**
the list goes on!

Optional Impact absorbing Bumpers reduce damage to displays.

Tested for over a half Million rotations!

Load bearing throughout entire cycle.

Our pivot **automatically** returns your product display to its original position for the next customer!

Try us out!
Call for your
FREE
sample today!

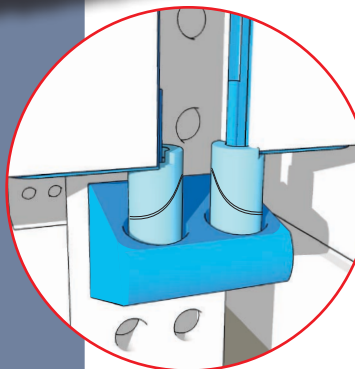
Ask us about **custom work**



Hand Hold graphics and Impact Bumpers optional



No more worn out and unsightly displays!



Informing, Inspiring, and Involving Shoppers... Since 1987
Engaging Display... by Design
call Adrian Mawdsley Consulting Services

telephone: 01455 619690 e-mail: adrian@adrianmawdsley.co.uk
Online: www.strathelgin.com

If there is a more appropriate individual to send this to, we ask that you bring this flyer to their attention or direct us to do so. If you wish to unsubscribe from our mailing list, please send an e-mail to the address above. Thank you for your assistance.